

MORRISON PRODUCTS, INC.

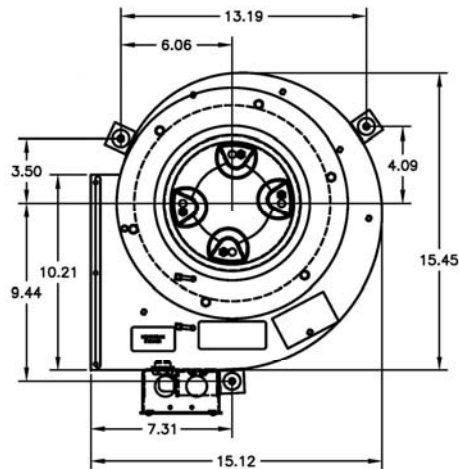
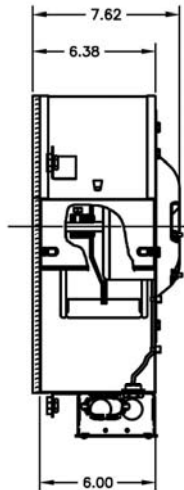
Manufacturers of Air Moving Equipment

MODEL SOE BLOWER (115V/60 HZ)

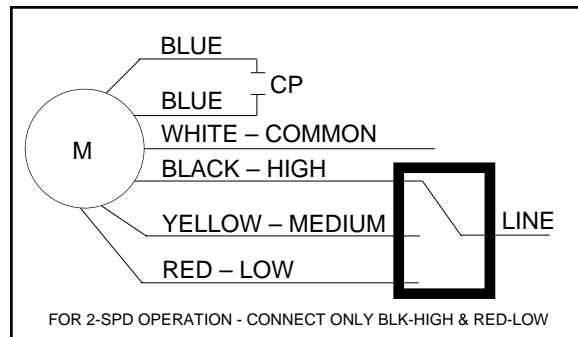


SPEED TAP	CFM @ FREE AIR	*SOUND PRESSURE (dBA)	WATTS
LOW	206	39.0	45.9
MEDIUM	255	44.8	70.3
HIGH	380	54.2	131.3

*SOUND PRESSURE MEASURED AT 0.75 METERS AWAY FROM DISCHARGE CENTER



ASSY NAME	3 SPD BLWR
PART NUMBER	06-01033
MOTOR P/N	96-11508
H.P.	1/33
RPM	825
FLA	.84
VOLTS	115
PHASE	SINGLE
CYCLE	60
CAP.	5 MFD
SPEED(S)	3



WIRING DIAGRAM

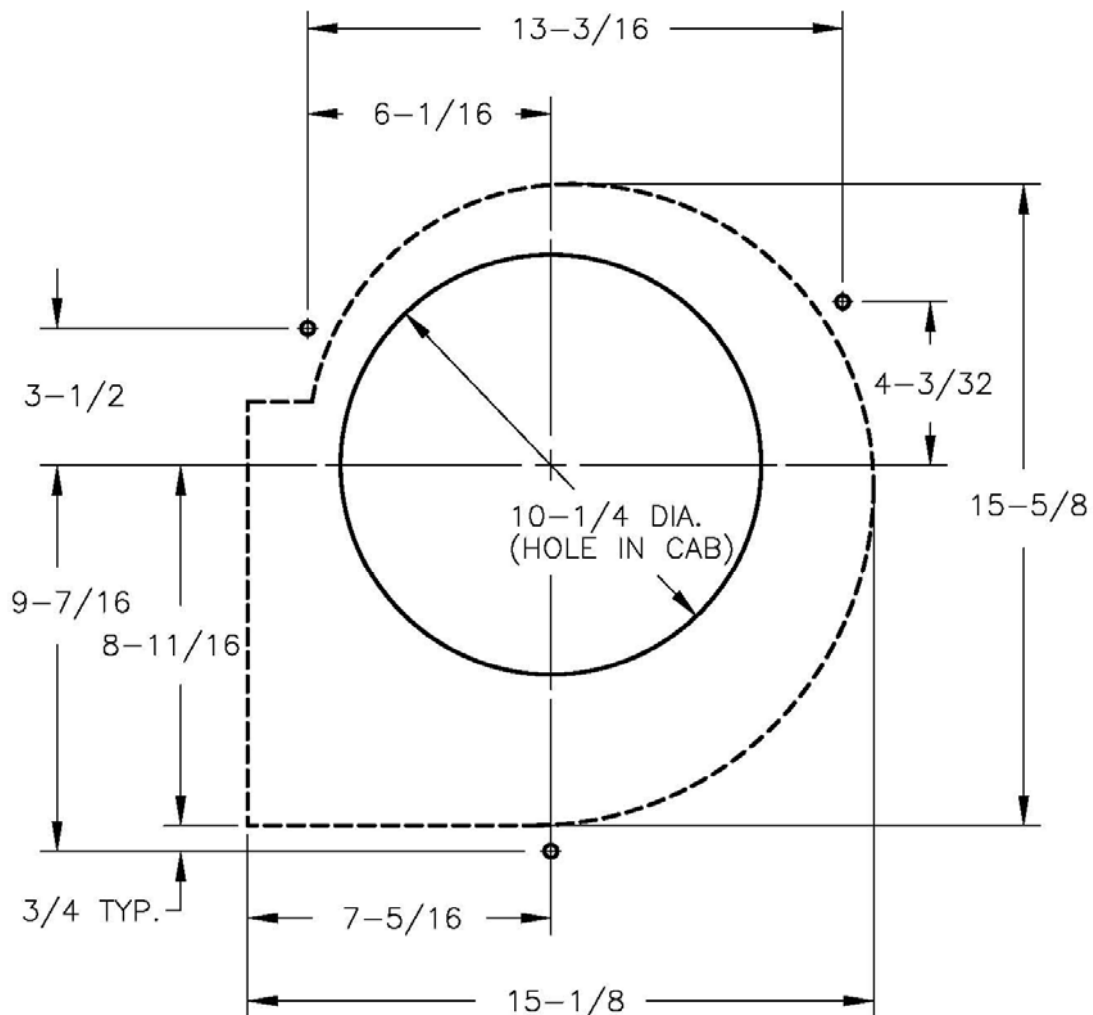
MORRISON PRODUCTS, INC.

Manufacturers of Air Moving Equipment

MODEL SOE BLOWER (115V/60 HZ)

SAMPLE SPECIFICATION:

Elevator Cab Exhaust Fan shall be a 3 speed, Single Inlet, Centrifugal Exhaust Fan, Model SOE, Part Number 06-01033, manufactured by Morrison Products, Inc. The high speed rating shall equal or exceed 380 cubic feet per minute, at a maximum of 135 watts. The corresponding sound pressure level at .75 meters from the fan shall not exceed 55 dBA. The blower motor will be permanently lubricated and UL and CSA approved.



(3) HOLES IN UNIT
ARE 5/16 DIAMETER

TEMPLATE FOR MOUNTING HOLE LOCATIONS
AND INTAKE HOLE OPENING FOR MODEL "SOE"
ELEVATOR CAB EXHAUST UNIT