

MORRISON PRODUCTS, INC.

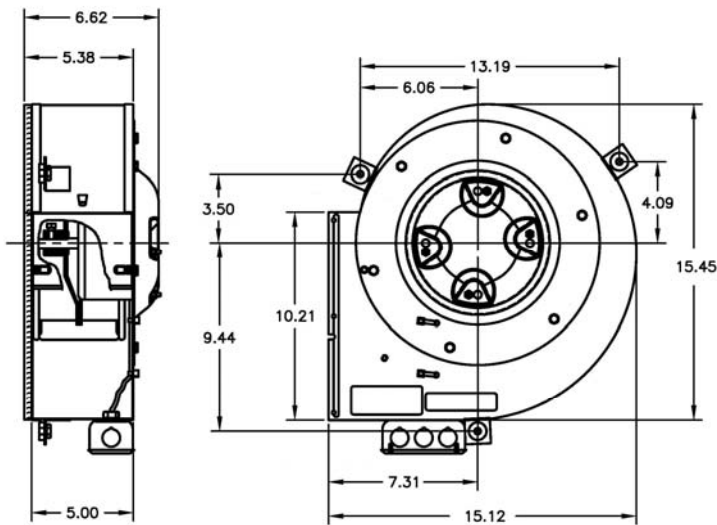
Manufacturers of Air Moving Equipment

MODEL OE BLOWER (115V/60 HZ)

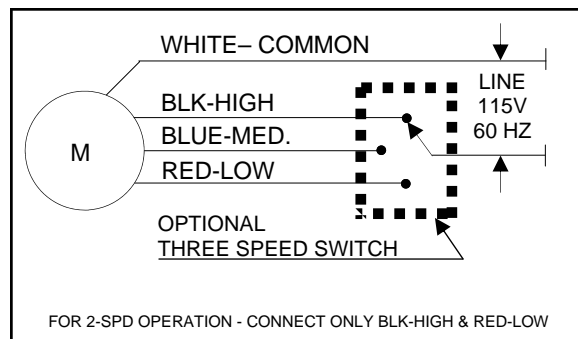


SPEED TAP	CFM @ FREE AIR	*SOUND PRESSURE (dBA)	WATTS
LOW	284	54.1	117
MEDIUM	365	59.9	156
HIGH	435	64.5	232

*SOUND PRESSURE MEASURED AT 0.75 METERS AWAY FROM DISCHARGE CENTER



ASSY NAME	3 SPD BLWR
PART NUMBER	06-01064
MOTOR P/N	96-13504
H.P.	1/12
RPM	1050
FLA	3.0
VOLTS	115
PHASE	SINGLE
CYCLE	60
SPEED(S)	3



WIRING DIAGRAM

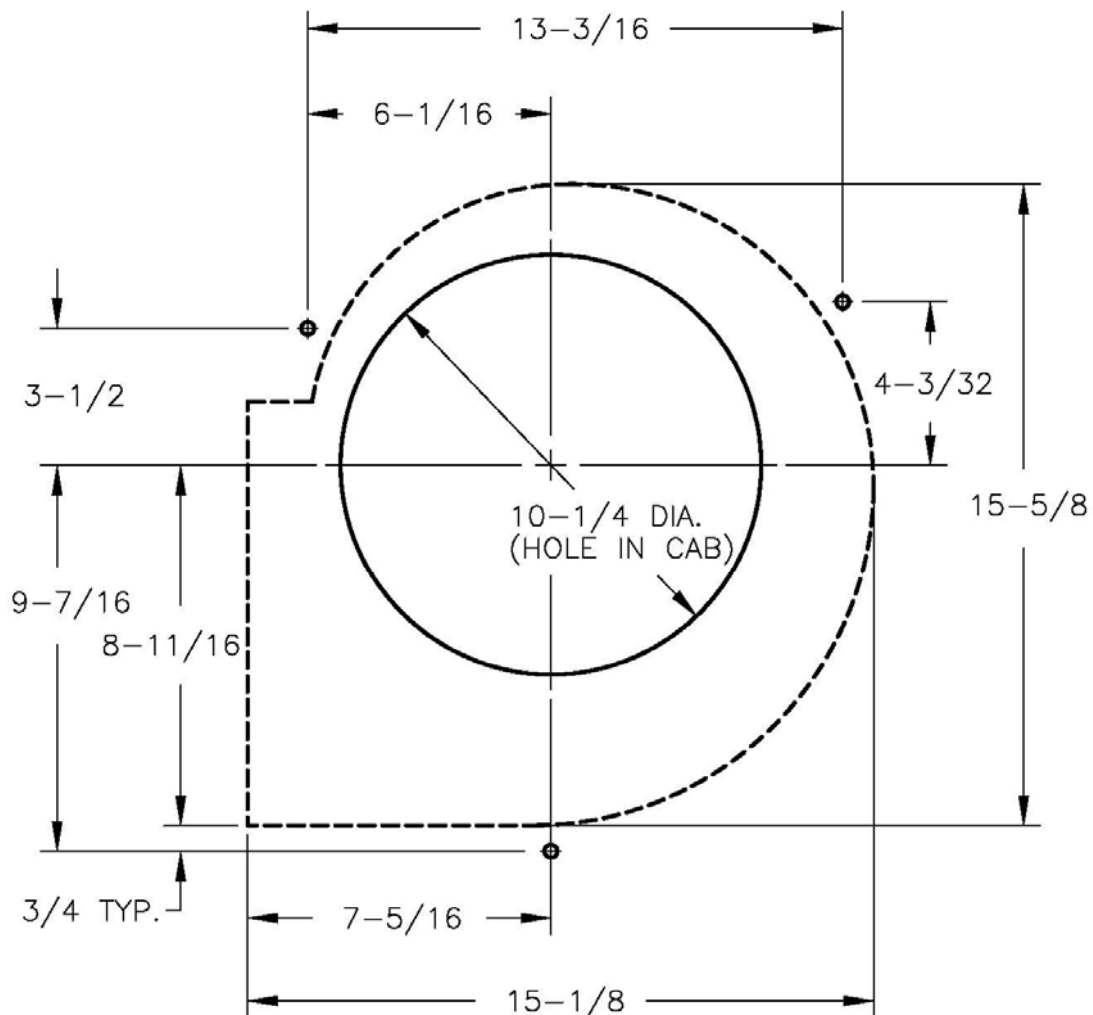
MORRISON PRODUCTS, INC.

Manufacturers of Air Moving Equipment

MODEL OE BLOWER (115V/60 HZ)

SAMPLE SPECIFICATION:

Elevator Cab Exhaust Fan shall be a 3 speed, Single Inlet, Centrifugal Exhaust Fan, Model OE, Part Number 06-01064, manufactured by Morrison Products, Inc. The high speed rating shall equal or exceed 430 cubic feet per minute, at a maximum of 235 watts. The corresponding sound pressure level at .75 meters from the fan shall not exceed 65 dBA. The blower motor will be permanently lubricated and UL and CSA approved.



(3) HOLES IN UNIT
ARE 5/16 DIAMETER

TEMPLATE FOR MOUNTING HOLE LOCATIONS
AND INTAKE HOLE OPENING FOR MODEL "OE"
ELEVATOR CAB EXHAUST UNIT