

MORRISON PRODUCTS, INC.

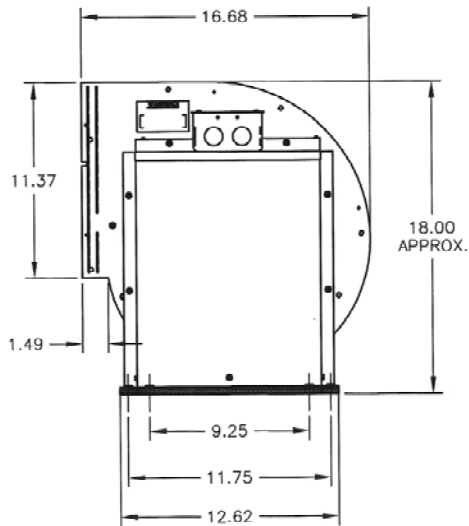
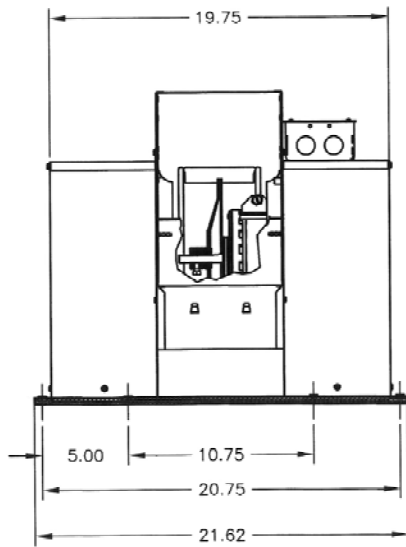
Manufacturers of Air Moving Equipment

MODEL AA BLOWER (115V/60 HZ)

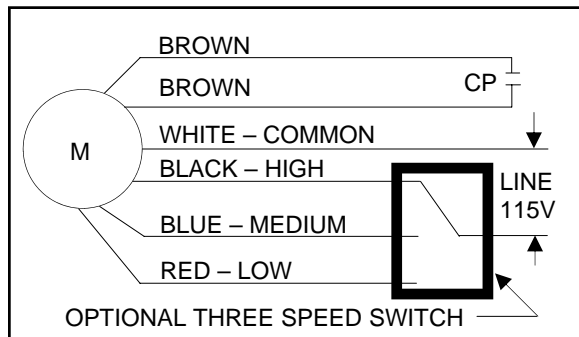


SPEED TAP	CFM @ FREE AIR	*SOUND PRESSURE (dBA)	WATTS
LOW	399	50.0	127
MEDIUM	493	54.5	152
HIGH	613	59.8	184

*SOUND PRESSURE MEASURED AT 1.00 METER AWAY FROM DISCHARGE CENTER



ASSY NAME	3 SPD BLWR
PART NUMBER	06-01058
MOTOR P/N	96-13502
H.P.	1/12
RPM	825
FLA	1.90
VOLTS	115
PHASE	SINGLE
CYCLE	60
CAP.	5 MFD
SPEED(S)	3



WIRING DIAGRAM

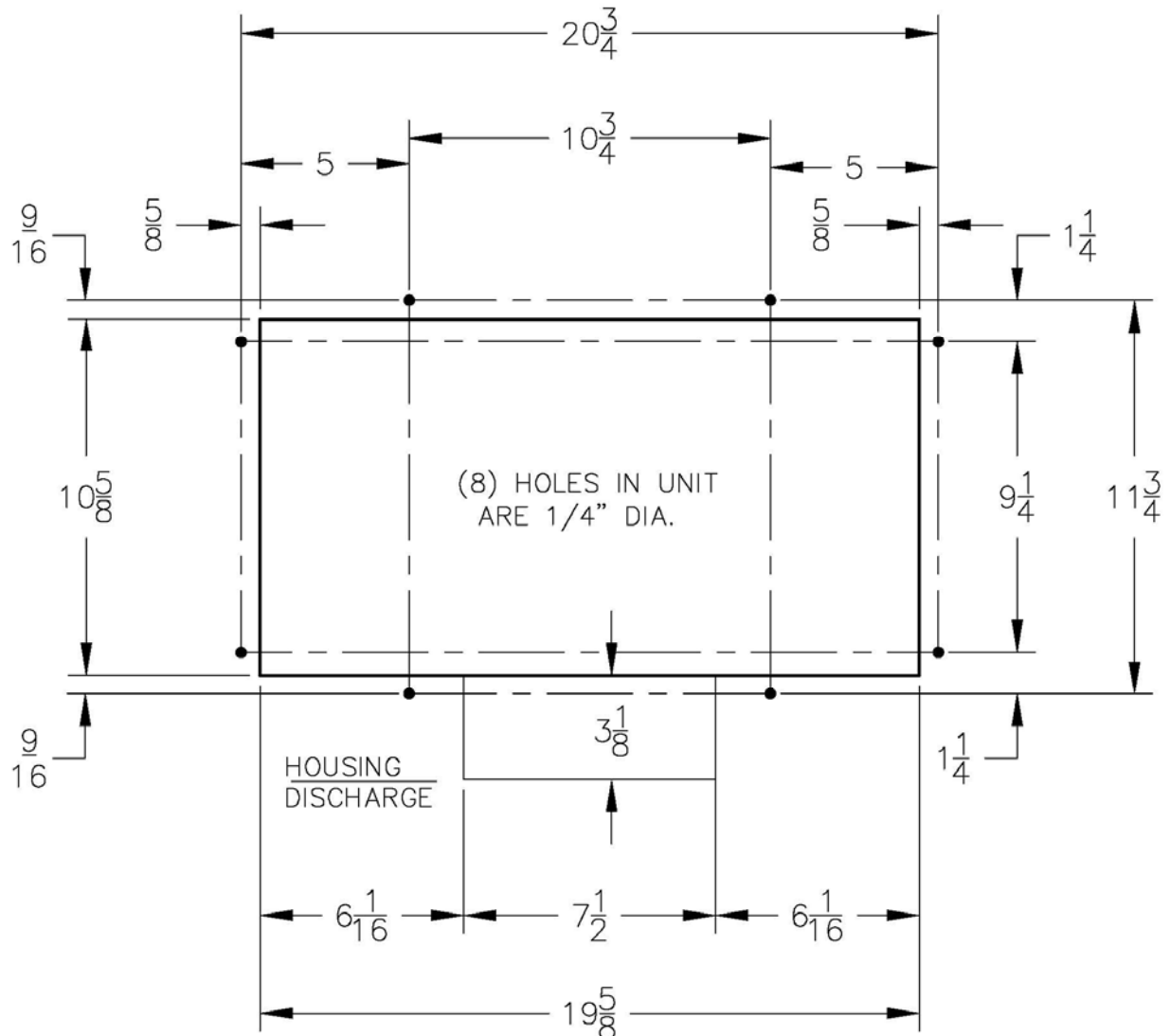
MORRISON PRODUCTS, INC.

Manufacturers of Air Moving Equipment

MODEL AA BLOWER (115V/60 HZ)

SAMPLE SPECIFICATION:

Elevator Cab Exhaust Fan shall be a 3 Speed, Dual Inlet, Centrifugal Exhaust Fan, Model AA, Part Number 06-01058, manufactured by Morrison Products, Inc. The high speed rating shall equal or exceed 610 cubic feet per minute, at a maximum of 185 watts. The corresponding sound pressure level at 1 meter from the fan, shall not exceed 60 dBA. The blower motor will be permanently lubricated and UL and CSA approved.



TEMPLATE FOR MOUNTING HOLE LOCATIONS AND EXHAUST HOLE OPENING FOR MODEL "AA" ELEVATOR CAB EXHAUST UNIT